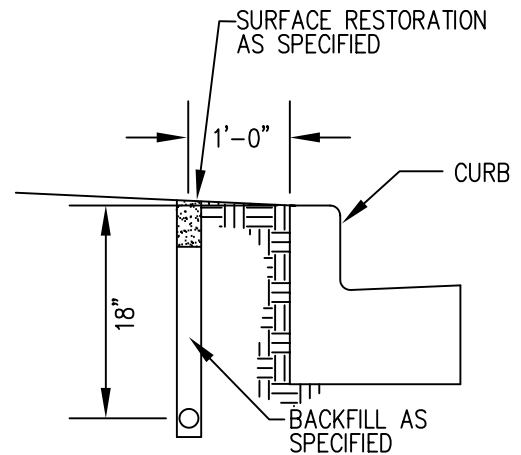
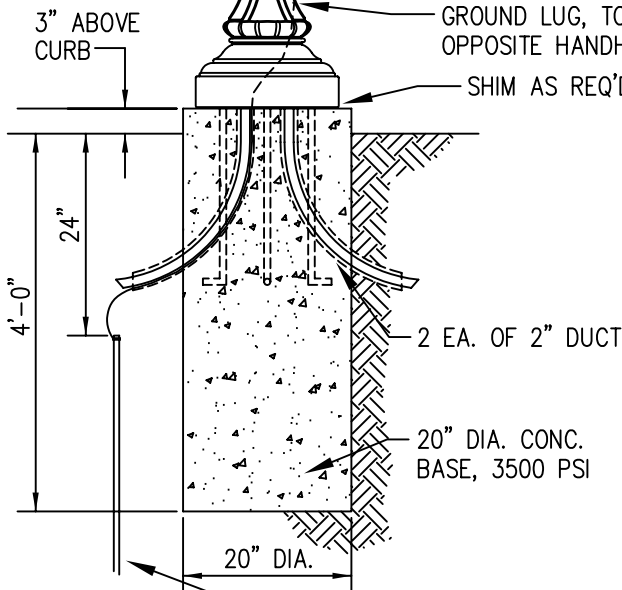


ELEVATION

NOTE:
POLE AND FIXTURE ARE LUMEC
CATALOG No. Z40G 100 HPS
3AC 480 1 RA41-14-BKTX,
14' MOUNTING HEIGHT.

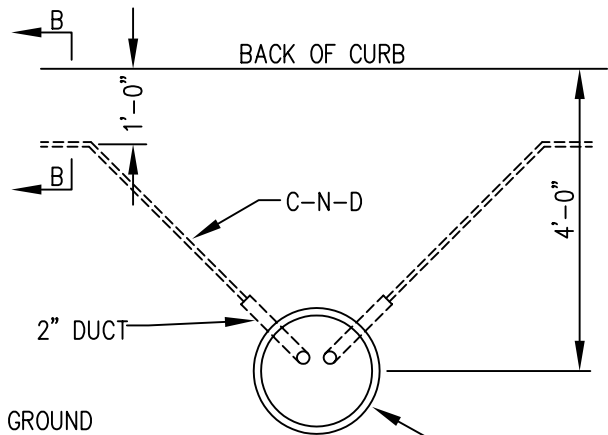


SECTION B-B
C-N-D INSTALLATION



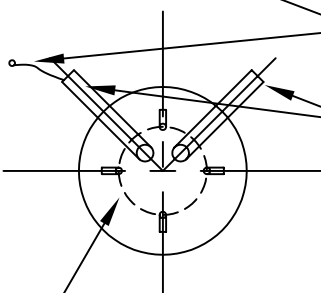
5/8" x 8'-0" COPPERWELD GROUND
ROD W/ #4 AWG BARE GROUNDING WIRE.

TWO DUCTS TO EXIT CONCRETE
BASE AT 90° FROM EACH OTHER,
EXTEND 6" OUT FROM CONCRETE.



PLAN VIEW

POLE BASE & C-N-D LOCATION



11" BOLT CIRCLE FOR
4 ANCHOR RODS.

SECTION A-A
POLE MOUNTING & BASE



City of Oak Creek
Department of Public Works

Drawn By: K. Seufzer

Scale: N.T.S

Appv. By: M. Simmons

Date: 12/22/03 (Revised)

STREET LIGHTING
DECORATIVE RESIDENTIAL STANDARD

SL-5